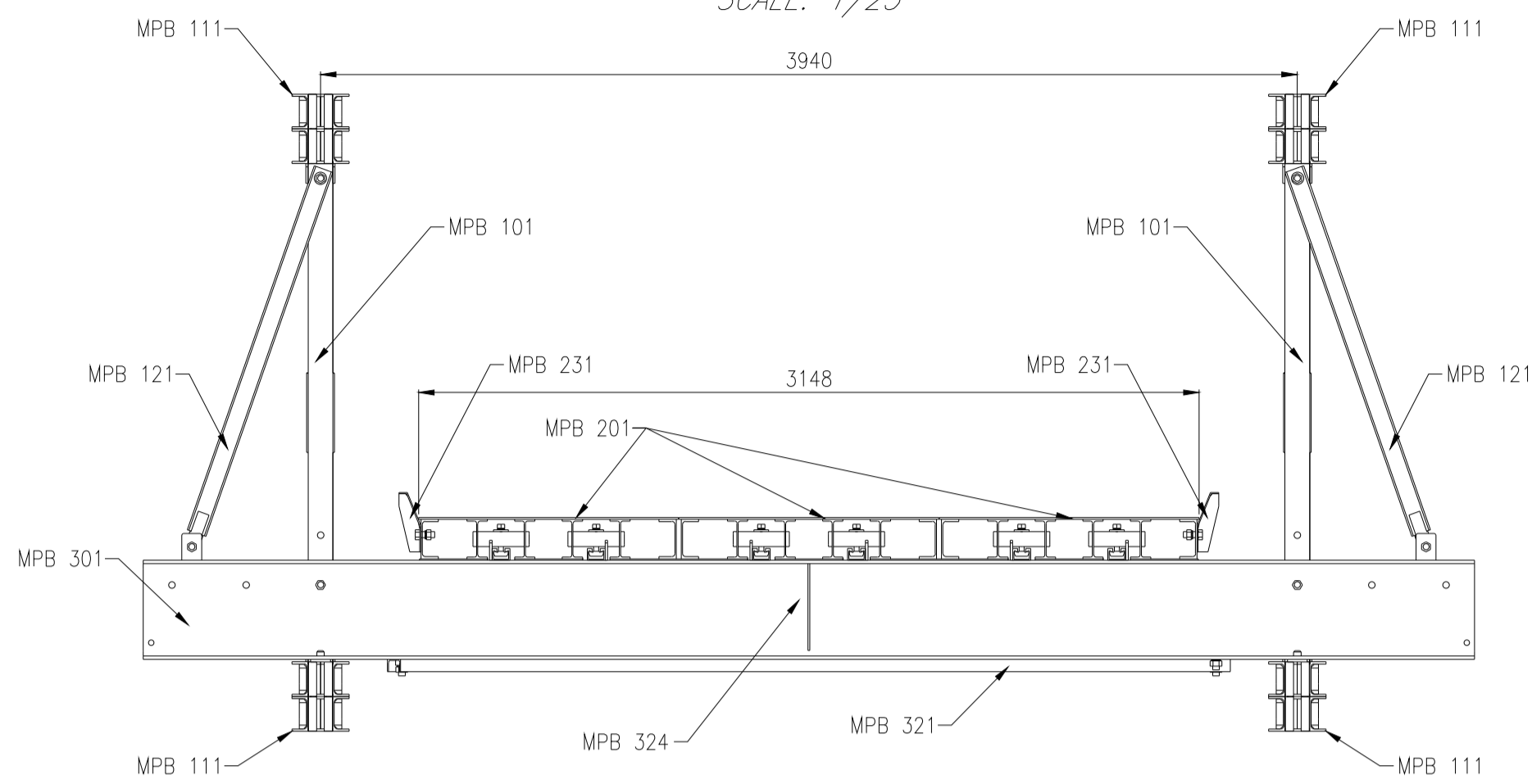
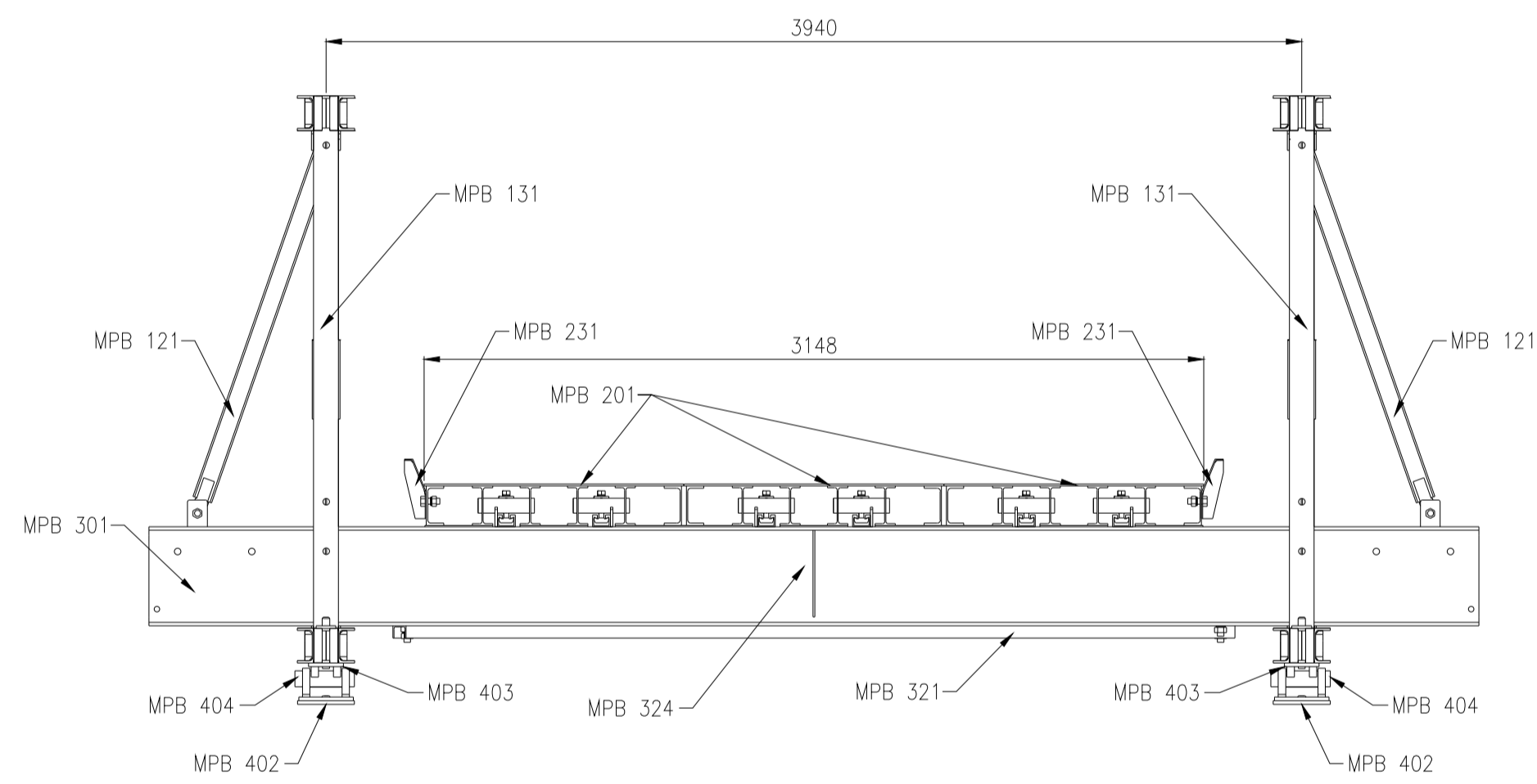


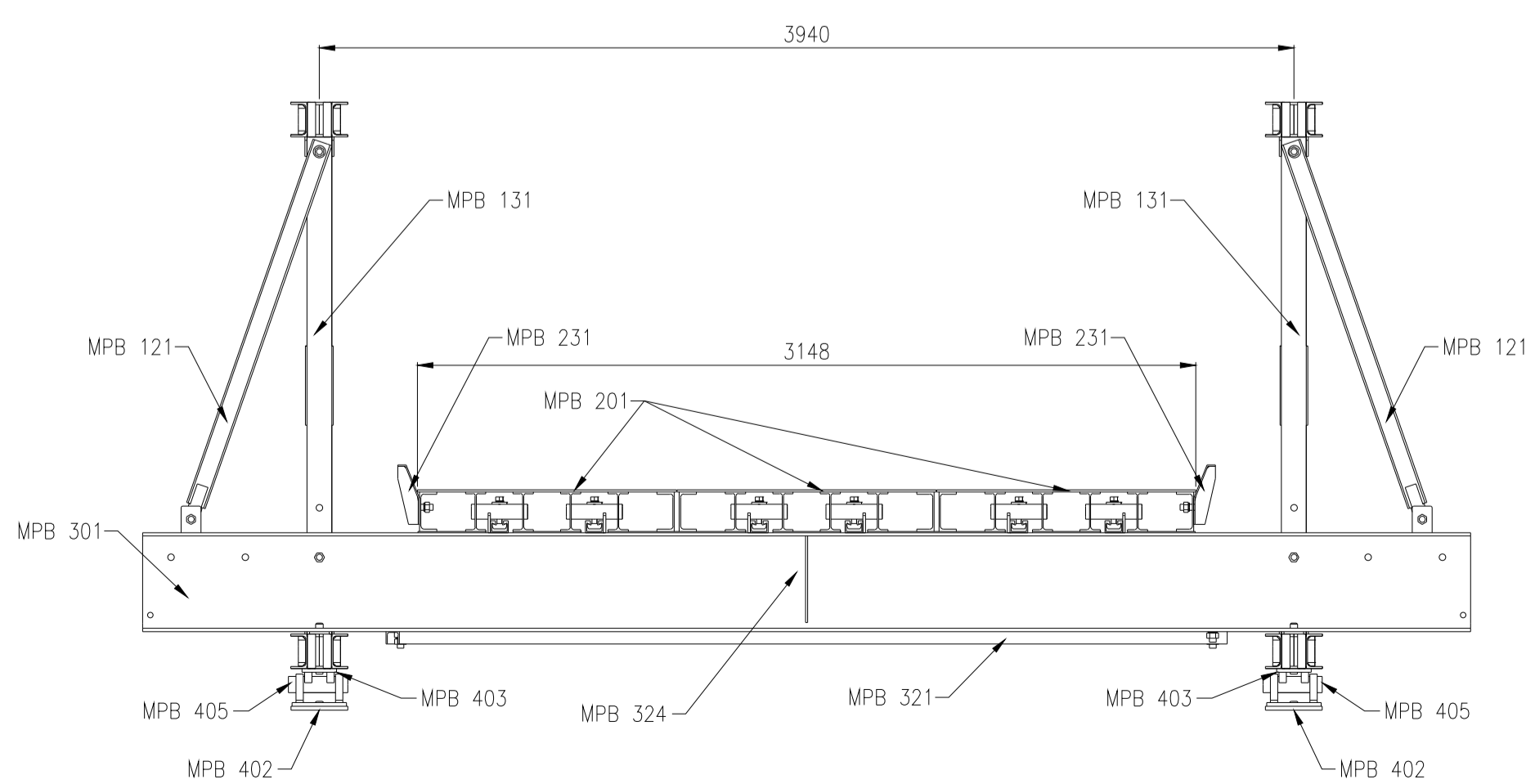
COUPE COURANTE
TYPICAL CROSS SECTION
ECH: 1/25
SCALE: 1/25



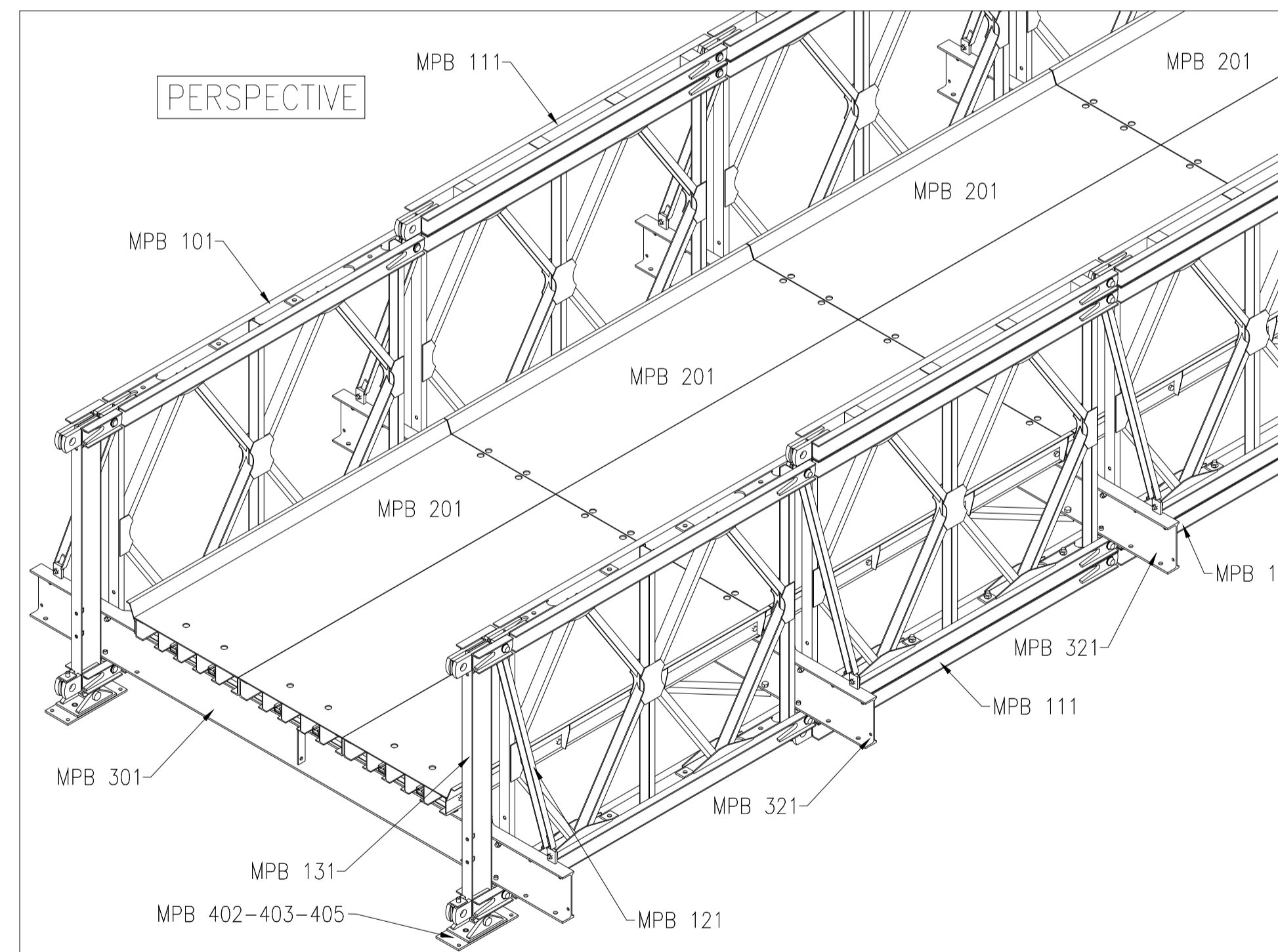
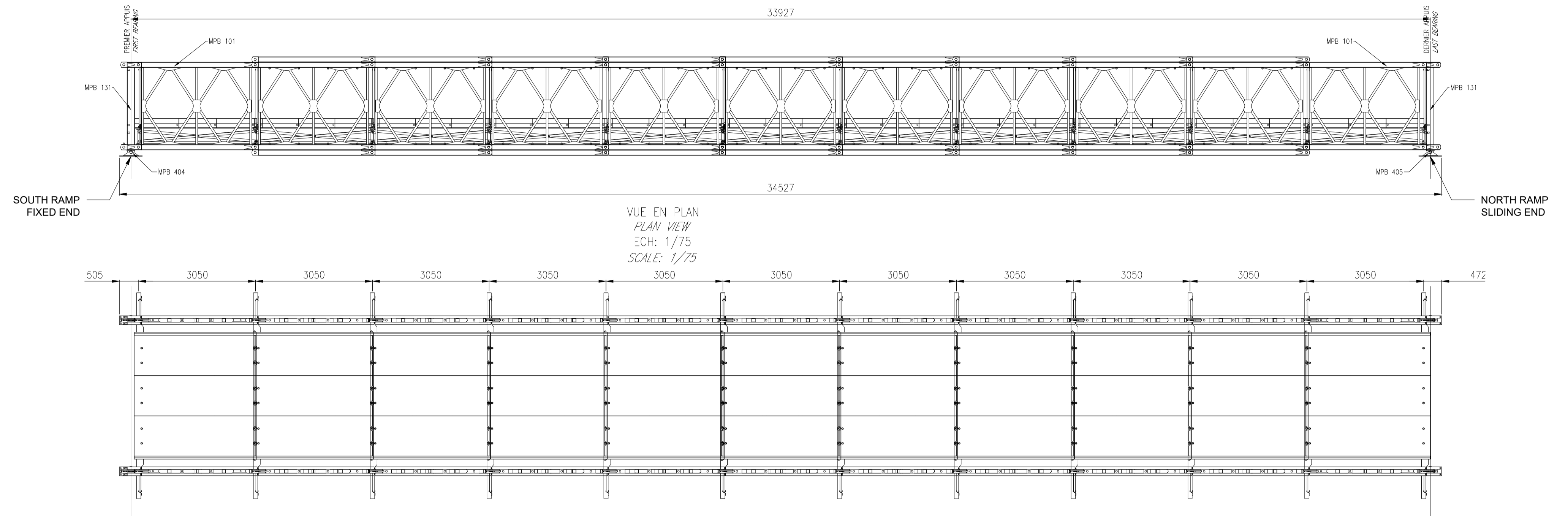
COUPE SUR PREMIER APPUIS
CROSS SECTION ON FIRST BEARING
ECH: 1/25
SCALE: 1/25



COUPE SUR DERNIER APPUIS
CROSS SECTION ON LAST BEARING
ECH: 1/25
SCALE: 1/25



ELEVATION
ELEVATION
ECH: 1/75
SCALE: 1/75



| Item | Description | Poids unitaire (kg) | Nombre total |
|----------|---------------------------|---------------------|--------------|
| MPB101 | Panel | 449.10 | 22 |
| MPB111 | Reinforcement chord-140 | 134.60 | 36 |
| MPB121-1 | Raker - 3.15 | 13.21 | 24 |
| MPB124 | Single truss raker washer | 0.40 | 24 |
| MPB131 | End post | 132.31 | 4 |
| MPB201 | Deck 60T with anti skid | 498.61 | 33 |
| MPB231 | Kerb | 35.82 | 22 |
| MPB301 | Transom - 3.15 | 383.99 | 12 |
| MPB321-1 | Swaybrace A - 3.15 | 37.79 | 11 |
| MPB321-2 | Swaybrace B - 3.15 | 37.79 | 11 |
| MPB324 | Vertical brace | 16.44 | 22 |
| MPB402 | Single bearing base plate | 16.47 | 4 |
| MPB403 | Bearing | 8.07 | 4 |
| MPB404 | Bearing block fixed | 26.35 | 2 |
| MPB405 | Bearing block sliding | 25.95 | 2 |

GENERAL NOTES:

ALL DIMENSIONS IN MILLIMETERS. ALL LEVELS IN METERS
THIS DRAWING TO BE READ IN CONJUNCTION WITH OTHER SCHEME DRAWINGS IF APPLICABLE
THIS IS A CAD PRODUCED DRAWING AND SHOULD NOT BE AMENDED BY HAND
DO NOT SCALE FROM THIS DRAWING. WORK TO STATED DIMENSION ONLY. IF IN DOUBT ASK

| | | | | |
|-----|------------------------------|------|----|----------|
| - | FOR CONSTRUCTION FIRST ISSUE | ** | JL | 10/01/19 |
| Rev | Description | Chkd | By | Date |

Beaver Bridges Ltd
5 Knights Court,
Archers Way,
Battlefield Enterprise Park,
Shrewsbury SY1 3GA
Tel: 01743 811 811



Client
MORGAN SINDALL

Project Name
**A421
DUALLING**

Drawing Title
**11 BAYS WIDTH 3.15 M
TRUSS CONFIGURATION SSR**

| | | | | |
|--------------------------|-------------|---------------------|---------------|-----------------|
| Start Date 12/11/2018 | Drawn ** | Designed MATIERE | Checked JL | Scale VARIES |
|--------------------------|-------------|---------------------|---------------|-----------------|

Drawing Status
CONSTRUCTION

Page Size
A1 L

Drawing No
BBH332-GA-103

Rev
-